

2/2

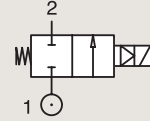
VALVES FOR WATER AND NEUTRAL LIQUIDS

PILOT OPERATED

BRASS

PIPE MOUNTING

NORMALLY CLOSED



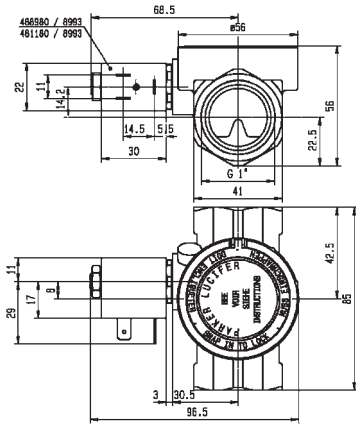
| Port size (BSP) | Orifice Ø mm | Flow factors | | | Operating Pressure Differential Max(MOPD) | | | Fluid Temp. | | Seat Seal | Valve Ref. | Housing Ref. | Coil Ref. | Power | | Coil Group | Dwg. No. |
|--------------------|--------------------|--------------|------------|------------|--|-----------|-----------|-------------|-----------|-----------|-----------------------|--------------|-----------|---------|---------|------------|----------|
| | | Kv l/min | KV m³/h | Qn m³/h | Min bar | AC bar | DC bar | Min °C | Max °C | | | | | AC W | DC W | | |
| | | 10150 | 10150 | 10150 | 0.3 | 10 | 10 | -10 | 100 | | | | | NBR | 321K37 | | |
| 1" | 18 | 110 | 6.6 | 10150 | 0.3 | 10 | 10 | -10 | 100 | NBR | 321K37 | 8993 | 481180 | 4 | 5 | 1.1 | 7098 |
| | 18 | 110 | 6.6 | 10150 | 0.3 | 10 | 7 | -10 | 75 | NBR | 321K37 | 8993 | 488980 | 2 | 2.5 | 1.1 | 7098 |
| | 18 | 110 | 6.6 | 10150 | 0.3 | 12 | 12 | -10 | 100 | FKM | 321K4706 | 2995 | 481865 | 8 | 9 | 2.1/3.0 | 7100 |
| | 18 | 110 | 6.6 | 10150 | 0.3 | 12 | 12 | -10 | 120 | FKM | 321K4706 | 4270 | 481000 | 8 | 8 | 2.1/3.0 | 7100 |
| | 18 | 110 | 6.6 | 10150 | 0.3 | 12 | 12 | -10 | 100 | FKM | 321K4756 ₂ | 2995 | 481865 | 8 | 9 | 2.1/3.0 | 7100 |
| | 18 | 110 | 6.6 | 10150 | 0.3 | 12 | 12 | -10 | 120 | FKM | 321K4756 ₂ | 4270 | 481000 | 8 | 8 | 2.1/3.0 | 7100 |
| 1 1/4" | 25 | 180 | 10.8 | 14000 | 0.3 | 16 | 16 | -10 | 100 | NBR | E321G37 | 2995 | 481865 | 8 | 9 | 2.0 | 3442 |
| | 25 | 180 | 10.8 | 14000 | 0.3 | 16 | 16 | -10 | 100 | NBR | E321G37 | 4270 | 481000 | 8 | 8 | 2.0 | 3442 |
| 1 1/4" | 28 | 270 | 16.2 | 18000 | 0.3 | 16 | 16 | -10 | 100 | NBR | E321G38 | 2995 | 481865 | 8 | 9 | 2.0 | 3442 |
| | 28 | 270 | 16.2 | 18000 | 0.3 | 16 | 16 | -10 | 100 | NBR | E321G38 | 4270 | 481000 | 8 | 8 | 2.0 | 3442 |
| 1 1/2" | 40 | 420 | 25.2 | 31500 | 0.3 | 16 | 7 | -10 | 100 | NBR | E321G39 ₁ | 2995 | 481865 | 8 | 9 | 2.0 | 3442 |
| | 40 | 420 | 25.2 | 31500 | 0.3 | 16 | 8.5 | -10 | 100 | NBR | E321G39 ₁ | 4270 | 481000 | 8 | 8 | 2.0 | 3442 |
| | 40 | 420 | 25.2 | 31500 | 0.3 | 16 | 16 | -10 | 100 | NBR | E321G39 ₁ | 4270 | 486265 | 14 | 14 | 2.0 | 3442 |
| 2" | 40 | 540 | 32.4 | 40000 | 0.3 | 16 | 7 | -10 | 100 | NBR | E321G40 ₁ | 2995 | 481865 | 8 | 9 | 2.0 | 3442 |
| | 40 | 540 | 32.4 | 40000 | 0.3 | 16 | 8.5 | -10 | 100 | NBR | E321G40 ₁ | 4270 | 481000 | 8 | 8 | 2.0 | 3442 |
| | 40 | 540 | 32.4 | 40000 | 0.3 | 16 | 16 | -10 | 100 | NBR | E321G40 ₁ | 4270 | 486265 | 14 | 14 | 2.0 | 3442 |

Notes:

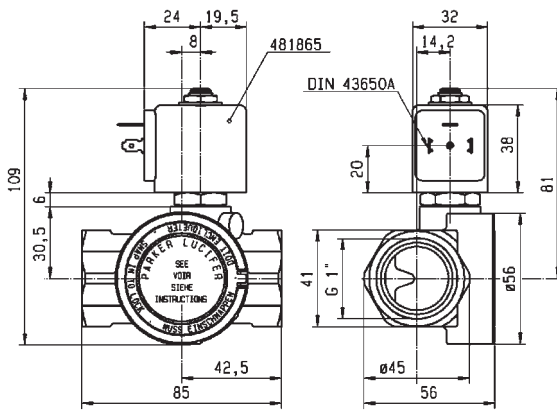
1. Pilot seat disc in synthetic Ruby
2. With manual override



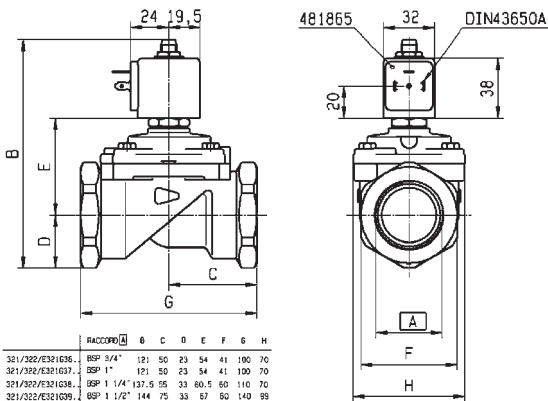
| For this page | Port size | Orifice (mm) | Kv (l/min) | MOPD (bar) | Fluid Temp (°C) |
|---------------|-----------|--------------|------------|------------|-----------------|
| From | 1" | 18 | 110 | 7 | -10 |
| To | 2" | 40 | 540 | 16 | 120 |



Drawing 7098



Drawing 7100



Drawing 3442

| | RACCORD | 6 | C | D | E | F | G | H |
|-----------------|------------|-------|----|------|------|----|-----|----|
| 321/232/E321G36 | BSP 3/4" | 121 | 50 | 23 | 54 | 41 | 100 | 70 |
| 321/332/E331G37 | BSP 1" | 151 | 50 | 23 | 54 | 41 | 100 | 70 |
| 321/332/E331G38 | BSP 1 1/4" | 137 | 55 | 33 | 60,5 | 60 | 110 | 70 |
| 321/332/E331G39 | BSP 1 1/2" | 144 | 75 | 33 | 87 | 60 | 140 | 59 |
| 321G396/G3967 | UNF 1 7/8" | 144 | 75 | 33 | 87 | 60 | 140 | 59 |
| U321A/G32G40... | BSP 2" | 158,5 | 80 | 41,5 | 73 | 75 | 150 | 99 |